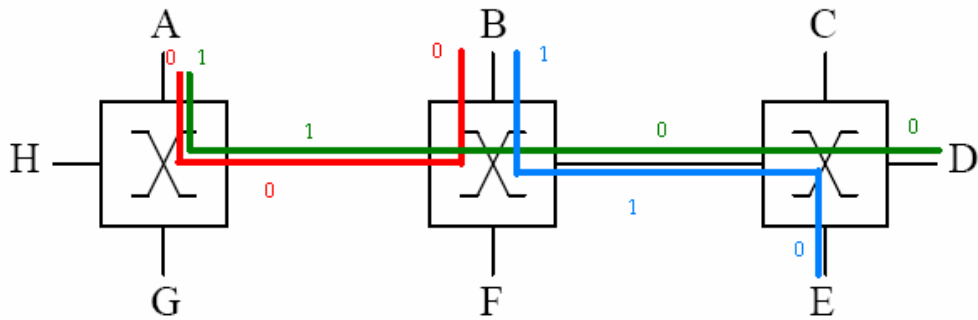


Tutorial 7 Solution

1.



After all the connections:

in	label	out	label
N	0	E	0
N	1	E	1

in	label	out	label
W	0	N	0
W	1	E	0
N	1	E	1

in	label	out	label
W	0	E	0
W	1	S	0

After the disconnection

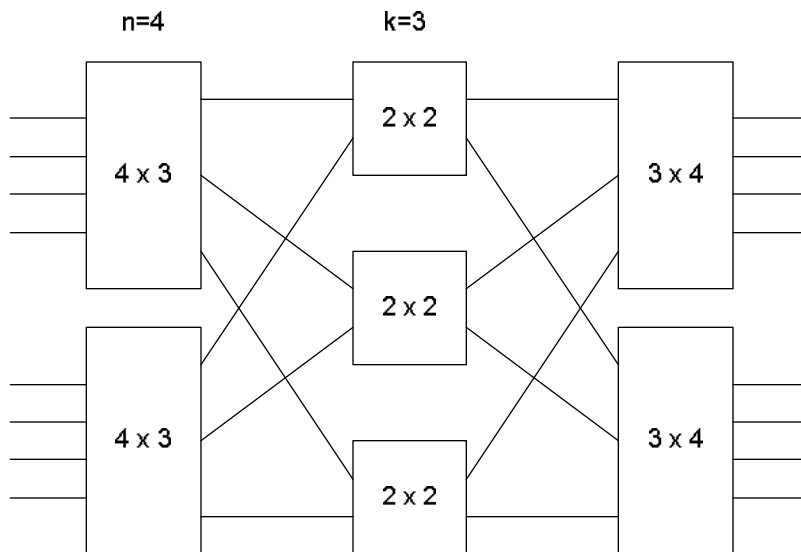
in	label	out	label
N	1	E	1

in	label	out	label
W	1	E	0
N	1	E	1

in	label	out	label
W	0	E	0
W	1	S	0

2.

a)



3.

